



e.sybox

ELECTRONIC PRESSURISATION SYSTEM





TECHNICAL DATA

Operating range:

capacity up to 32 gpm; head up to 213 ft (86 psi)

Liquid quality requirements: clean, free from solid or abrasive contaminants, non-viscous, non-aggressive, uncrystallised and chemically neutral.

Liquid temperature range: from 32°F to +95°F for domestic use
for other use: from 32°F to +104°F

Maximum suction depth: 26 ft

Maximum ambient temperature: +122°F

Maximum pressure: 115 psi

Maximum setable pressure: 85 psi

Motor protection rating: IPX4

Insulation class: F

Installation: Horizontal or vertical fixed position

Approvals: CSA certification to

CSA Standard C22.2 No 108- 14 Liquid Pumps.

UL Standard 778- 5th Edition- Motor operated water pumps

NSF/ANSI 61 - 2014a - Drinking Water System Components – Health Effects

NSF/ANSI 372 - 2011 - Drinking Water System Components – Lead Content

Special versions on request: alternative types of electrical plug

APPLICATIONS

E.SYBOX is DAB's integrated electronic water pressurisation system for domestic and residential use. The E.SYBOX inverter system provides the comfort of constant water pressure, while saving energy too. Suitable for use for potable water, in domestic plants for gardening and irrigatio. Suitable for creating groups of up to 4 pumps. E.SYBOX requires no additional components for installation.

CONSTRUCTIONAL FEATURES

E.SYBOX comprises a self-priming, multi-stage pump with electronic inverter management, pressure and flow sensors, adjustable, high resolution LCD display and an integrated 1/4 gal expansion vessel, and cartridge check valve.

May be installed either vertically or horizontally, in closed spaces without high level of air exchange. The accessories (e.sywall, e.sydock, e.sytwin, e.sytank) permit several installation possibilities.

The water-cooled motor, the protective and sound damping ABS hull, the anti-vibration feet and its electronics make this compact poroduct very quiet (45dB under normal use). The wireless system enables the creation of other pressurisation groups able to connect with other DAB devices (eg, e.sylink).

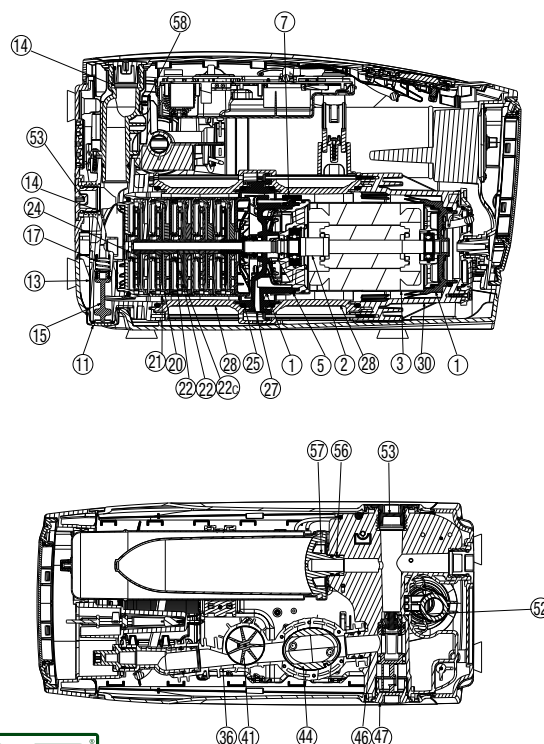
The constant pressure can be set from 15 to 85 psi.

Fitted with all the safety protections, as well as the protections for the safeguard of the pump. Particularly, the dry run, and the antifreeze protections.

All the parameters and the operating status can be displayed and set on the high resolution LCD display.

MATERIALS

N°	PARTS *	MATERIALS
1	MOTOR FLANGE	TECHNOPOLYMER
2	ROTOR SHAFT	AISI 303 STAINLESS STEEL
3	MOTOR JACKET	AISI 304 STAINLESS STEEL
5	OR GASKET	NBR
7	SINTERED PLATE	AISI 304 STAINLESS STEEL
11	1" PLUG	TECHNOPOLYMER
13	SUCTION BODY	TECHNOPOLYMER
14	1" INSERT	NICKLED BRASS
15	SHUTTER	TECHNOPOLYMER
17	SPRING	AISI 303 STAINLESS STEEL
20	DIFFUSER	TECHNOPOLYMER
21	DIFFUSER BODY	TECHNOPOLYMER
22	IMPELLER	TECHNOPOLYMER
22c	SHIM RING	AISI 316 STAINLESS STEEL
24	NUT	AISI 316 STAINLESS STEEL
25	DIFFUSER END PLUG	TECHNOPOLYMER
27	MECHANICAL SEAL	CARBON IMPREGNATED RESIN/ SILICON CARBIDE / EPDM
28	PUMP BODY	TECHNOPOLYMER
30	DISCHARGE BODY	TECHNOPOLYMER
36	FLOW SWITCH BODY	TECHNOPOLYMER
41	PRESS. STABLE. IMPELLER	TECHNOPOLYMER
46	DISCHARGE MANIFOLD	TECHNOPOLYMER
47	1"1/4 PLUG	TECHNOPOLYMER
52	NON-RETURN VALVE	TECHNOPOLYMER/RUBBER/STEEL
57	TANK	TECHNOPOLYMER/RUBBER
58/1	PRESSURE SENSOR BODY	TECHNOPOLYMER

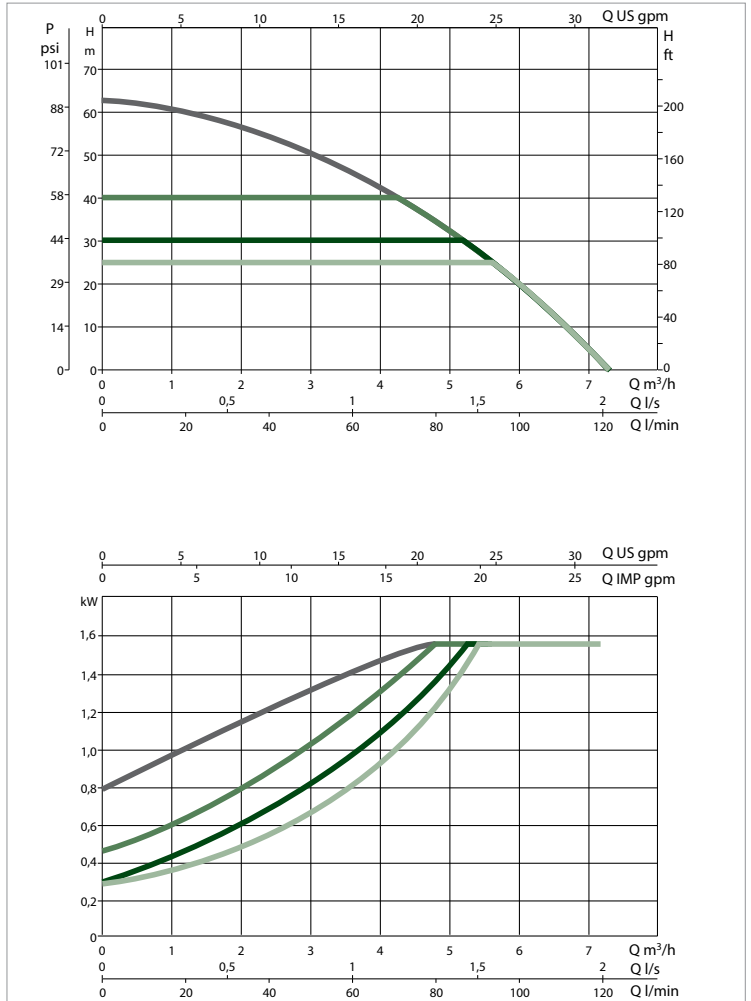
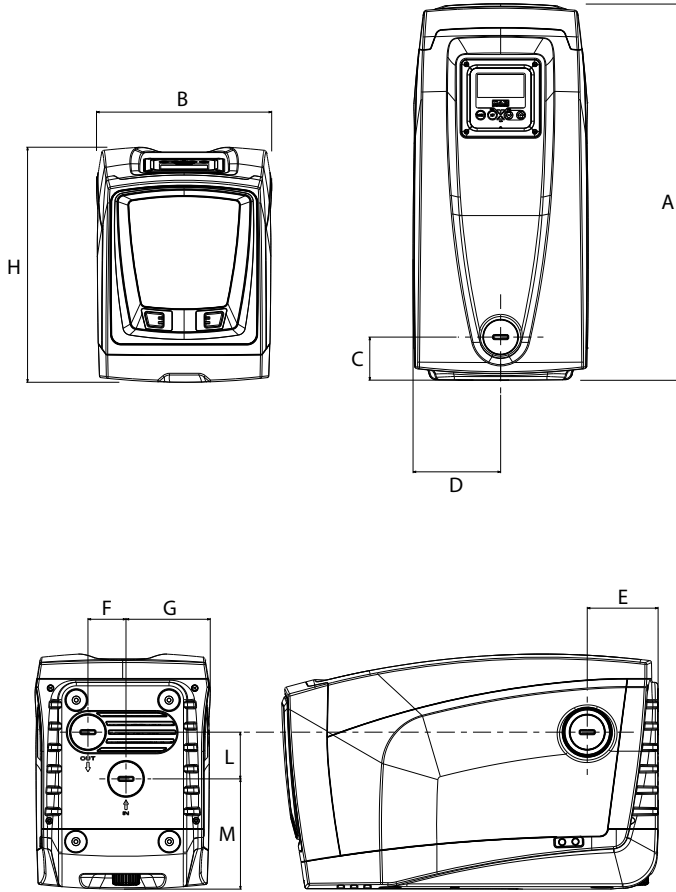


* In contact with liquid

E.SYBOX - ELECTRONIC PRESSURISATION SYSTEM FOR DOMESTIC WATER SUPPLY

Liquid temperature range: from 32°F to +95°F for domestic use - from 32°F to +104°F for other uses.

Maximum ambient temperature: +122°F

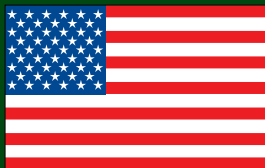


The performance curves are based on the kinematic viscosity values = 1 mm²/s and density equivalent to 1000 kg/m³. Curve tolerance according to ISO 9906.

MODEL	Q=gpm	0	2.6	5.3	7.9	10.6	13.2	15.8	18.5	21.1	23.8	26.4	29.0	31.7
	Q=l/min	0	10	20	30	40	50	60	70	80	90	100	110	120
E.SYBOX	H=(ft)	213	208	203	195	187	174	157	136	115	90	62	33	7

MODEL	ELECTRICAL DATA				
	N° IMPELLER	POWER SUPPLY 50/60 Hz	P1 MAX		In A
			kW	HP	
E.SYBOX	5	230V ~	1.55	2.11	10.0

MODEL	A	B	C	D	E	F	G	I Ø	H	L	M	DNA	DNM	PACK DIMENSIONS			GROSS lbs
														L/A	L/B	H	
E.SYBOX	22.20"	10.35"	2.56"	5.18"	4.17"	2.24"	4.97"	0.35"	14.25"	2.76"	6.50"	1" NPT	1" NPT	26.97"	14.17"	19.29"	59.52



DAB PUMPS INC.

3226 Benchmark Drive
Ladson, SC 29456 - USA

www.dabpumps.us
info.usa@dwtgroup.com
Tel. 1-843-797-5002
Fax 1-843-797-3366



DAB PUMPS LTD.

Unit 4 and 5, Stortford Hall Industrial Park,
Dunmow Road,
Bishops Stortford,
Herts
CM23 5GZ - UK
salesuk@dwtgroup.com
Tel. +44 1279 652 776
Fax +44 1279 657 727



DAB PUMPS IBERICA S.L.

Avenida de Castilla nr.1 Local 14
28830 - San Fernando De Henares - Madrid
Spain
info.spain@dwtgroup.com
Tel. +34 91 6569545
Fax: +34 91 6569676



DAB PUMPS INC.

3226 Benchmark Drive
Ladson, SC 29456 - USA
info.usa@dwtgroup.com
<http://us.dabpumps.com>
Tel. 1-843-797-5002
Fax 1-843-797-3366



DAB PUMPS B.V.

Brusselstraat 150
B-1702 Groot-Bijgaarden - Belgium
info.belgium@dwtgroup.com
Tel. +32 2 4668353
Fax +32 2 4669218



DAB PRODUCTION HUNGARY KFT.

H-8800
Nagykanizsa, Buda Ernő u.5
Hungary
Tel. +36 93501700



DWT SOUTH AFRICA

Podium at Menlyn,
3rd Floor, Unit 3001b, 43 Ingersol Road,
C/O Lois and Atterbury street,
Menlyn, Pretoria, 0181 - South-Africa
info.sa@dwtgroup.com
Tel. +27 12 361 3997
Fax +27 12 361 3137



DAB PUMPS B.V.

Albert Einsteinweg, 4
5151 DL Drunen - Nederland
info.netherlands@dwtgroup.com
Tel. +31 416 387280
Fax +31 416 387299



DAB PUMPS POLAND Sp. z o.o.

Mokotow Marynarska
ul. Post pu 15C
02-676 Warszawa - Poland
Tel. +48 223 81 6085



DAB PUMPS CHINA

No.40 Kaituo Road, Qingdao Economic & Technological
Development Zone
Qingdao City, Shandong Province - China
PC: 266500
info.china@dwtgroup.com
Tel. +8653286812030-6270
Fax +8653286812210



DAB UKRAINE Representative Office

Regus Horizon Park
4 M. Hrinchenka St, suit 147
03680 Kiev - Ukraine
Tel. +38 044 391 59 43



DAB PUMPEN DEUTSCHLAND GmbH

Tackweg 11
D - 47918 Tönisvorst - Germany
info.germany@dwtgroup.com
Tel. +49 2151 82136-0
Fax +49 2151 82136-36



OOO DAB PUMPS

Novgorodskaya str. 1, block G
office 308, 127247, Moscow - Russia
info.russia@dwtgroup.com
Tel. +7 495 122 0035
Fax +7 495 122 0036



DAB PUMPS DE MÉXICO, S.A. DE C.V.

Av. Gral Álvaro Obregón 270, oficina 355
Hipódromo, Cuauhtémoc 06100
México, D.F.
Tel. +52 55 6719 0493